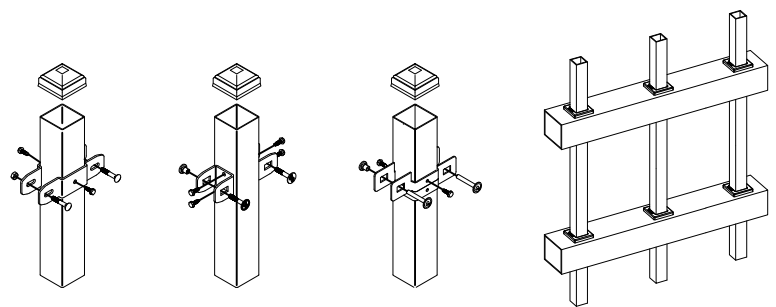
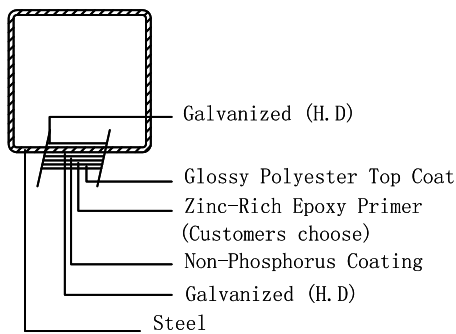
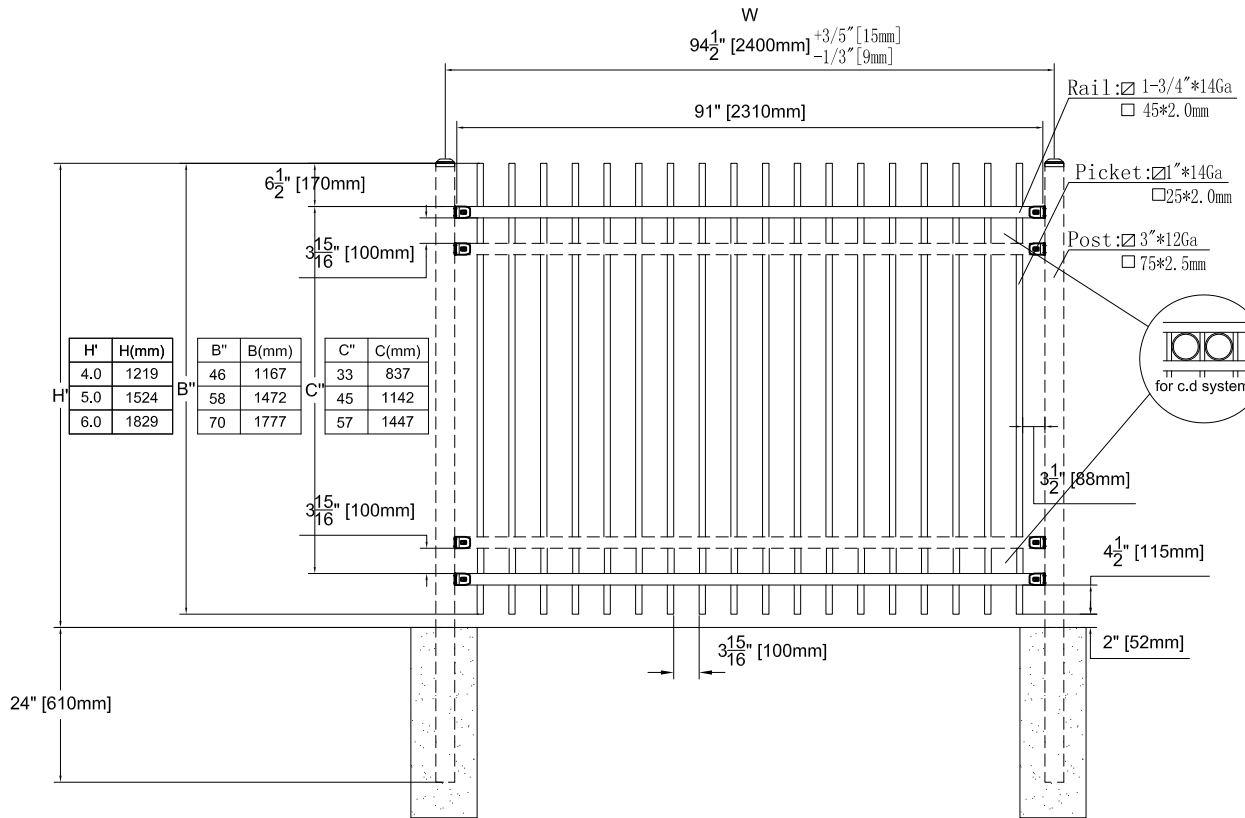


Post size		*W	
in	mm	in	mm
□ 2-1/2"	63.5	94"	2389
□ 3"	75	94-1/2"	2400
□ 4"	100	95-1/2"	2425



ITEM	Size(mm)	Size(")	Material	Q'Ty	CLIENT  <b>USA</b>  Product description  <b>*I**08-P</b>																
Picket	25*25*2.0	1x1x14Ga	Q195																		
Rail	45*45*2.0	1 3/4 x 1 3/4 x 14Ga	Q235																		
Post	75*75*2.5	3x3x12Ga	Q235																		
<table border="1"> <tr> <td>Design</td> <td>A. Z</td> <td>Standardization</td> <td>D.FF</td> </tr> <tr> <td>Drawing</td> <td>D.FF</td> <td>Approve</td> <td>A. Z</td> </tr> <tr> <td>Revise</td> <td>X.G</td> <td colspan="2">Date:08-31-2015</td> </tr> <tr> <td>Auditing</td> <td>M.ZQ</td> <td></td> <td></td> </tr> </table>					Design	A. Z	Standardization	D.FF	Drawing	D.FF	Approve	A. Z	Revise	X.G	Date:08-31-2015		Auditing	M.ZQ			
Design	A. Z	Standardization	D.FF																		
Drawing	D.FF	Approve	A. Z																		
Revise	X.G	Date:08-31-2015																			
Auditing	M.ZQ																				
					<table border="1"> <tr> <th>REVISIONS</th> <th>DESCRIPTION</th> <th>DATE</th> <th>APPRO</th> </tr> <tr> <td> </td> <td> </td> <td> </td> <td> </td> </tr> </table>	REVISIONS	DESCRIPTION	DATE	APPRO												
REVISIONS	DESCRIPTION	DATE	APPRO																		



XCEL Fence Inc  
 910 E Cedar St.  
 Ontario, CA 91761 USA  
 Tel: (866)392-0808  
 Fax: (909)392-0999  
 www.xcelfence.com  
 E-mail: info@xcelfence.com